


| | | |
|---------------------------|--------------------------------------|---|
| 53112610 | DATA SHEET |  |
| Valid from: 03.07.2018 | SKINTOP® MS-SC-M / MS-SC-M-XL | |

The SKINTOP® MS-SC-M / MS-SC-M-XL is a nickel-plated brass cable gland especially designed for copper-screened cables and is used to achieve a low-resistance screen contact, strain relief and high protection class.
The SKINTOP® MS-SC-M / MS-SC-M-XL is not qualified for cases twisting a gland after inserting the cable (e.g. circular connectors).



Components:

| | |
|---------------------------|-------------------------------|
| Gland body | Brass, nickel-plated |
| Cap nut | Brass, nickel-plated |
| Insert with lamellar cage | Polyamide, V2 acc. to UL94 |
| Sealing ring | CR (ozone and UV- resistant) |
| Contact spring | CuBe, tin-plated |
| O-ring | NBR (ozone and UV- resistant) |

Technical features:

| | |
|------------------------------------|--|
| Connecting thread | M12x1,5 up to M50x1,5 acc. to EN 60423 |
| Protection class / NEMA Typ Rating | IP68 - 10 bar, test acc. to EN 60529 IP69 acc. to EN 60529 Type 1, Type 4X, Type 6 and Type 12 |
| Temperature range | Dynamic -25 °C up to +100 °C Statically -40 °C up to +100 °C |
| Transfer impedance | ≤ 10 mOhm |
| Screening attenuation | up to 98dB |
| Corrosion-protection class | C4 |

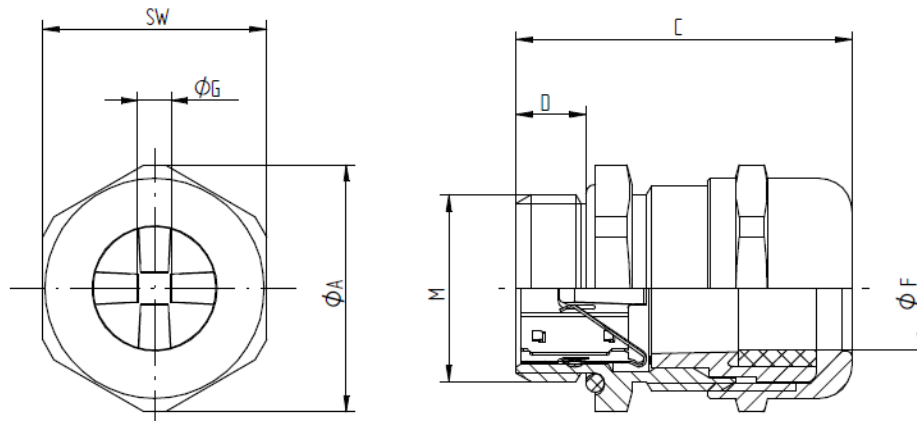
Approvals:



Norm references:



| | | |
|--|---------------------------------------|-------------|
| Creator: MAU1/PDP Released: DAMU1/PDP | Document: DB53112610EN Version: 15 | Page 1 of 2 |
|--|---------------------------------------|-------------|



SKINTOP® MS-SC-M

| M | SW [mm] | Ø A [mm] | C max. [mm] | D [mm] | Ø F [mm] Clamping range | Ø G [mm] | O-Ring [mm] | Article No. |
|---------|---------|----------|-------------|--------|----------------------------|----------|-------------|-------------|
| M12x1,5 | 16 | 17,6 | 26,5 | 6,5 | 3,5-7 | 1,0 | 9x2 | 53112610 |
| M16x1,5 | 20 | 22,0 | 33,0 | 7,0 | 4,5-9 | 4,0 | 13x2 | 53112620 |
| M20x1,5 | 24 | 26,4 | 37,0 | 8,5 | 7-13 | 5,0 | 17x2 | 53112630 |
| M25x1,5 | 29 | 31,9 | 38,5 | 8,0 | 9-17 | 7,5 | 22x2 | 53112640 |
| M32x1,5 | 36 | 39,6 | 45,5 | 9,0 | 11-21 | 9,0 | 28x2 | 53112650 |
| M40x1,5 | 45 | 49,5 | 48,0 | 9,0 | 19-28 | 15,0 | 36x2 | 53112660 |
| M50x1,5 | 54 | 59,0 | 55,5 | 10,0 | 27-35 | 21,0 | 46x2 | 53112670 |

SKINTOP® MS-SC-M-XL

| M | SW [mm] | Ø A [mm] | C max. [mm] | D [mm] | Ø F [mm] Clamping range | Ø G [mm] | O-Ring [mm] | Article No. |
|---------|---------|----------|-------------|--------|----------------------------|----------|-------------|-------------|
| M12x1,5 | 16 | 17,6 | 32,0 | 12 | 3,5-7 | 1,0 | 9x2 | 53112615 |
| M16x1,5 | 20 | 22,0 | 38,0 | 12 | 4,5-9 | 4,0 | 13x2 | 53112625 |
| M20x1,5 | 24 | 26,4 | 41,0 | 12 | 7-13 | 5,0 | 17x2 | 53112635 |
| M25x1,5 | 29 | 31,9 | 42,5 | 12 | 9-17 | 7,5 | 22x2 | 53112645 |
| M32x1,5 | 36 | 39,6 | 51,5 | 15 | 11-21 | 9,0 | 28x2 | 53112655 |
| M40x1,5 | 45 | 49,5 | 54,0 | 15 | 19-28 | 15,0 | 36x2 | 53112665 |
| M50x1,5 | 54 | 59,0 | 60,5 | 15 | 27-35 | 21,0 | 46x2 | 53112675 |

Recommended torque rates in acc. to EN 50262:

| Sizes | Torque [Nm] |
|-------------------|-------------|
| M12x1,5 | 8 |
| M16x1,5 | 10 |
| M20x1,5 - M25x1,5 | 12 |
| M32x1,5 - M40x1,5 | 18 |
| M50x1,5 | 20 |

For more information please see our current catalogue. Please do not hesitate to contact our laboratory if there are any questions regarding resistance against aggressive agents and special oil.